



air master

Chapter 16

INDEX

1	Volume control damper.....:AVCD.....	16.1
•	Standard sizes.....	16.2
•	Fixing details.....	16.2
•	How to order	16.2
•	Performance chart.....	16.3
2.	Circular volume control damper.:AVCD-C.	16.4
•	Standard sizes.....	16.4
•	Fixing details.....	16.5
•	How to order	16.5
•	Performance chart.....	16.5





Volume control damper

.....> Model: AVCD

Construction:

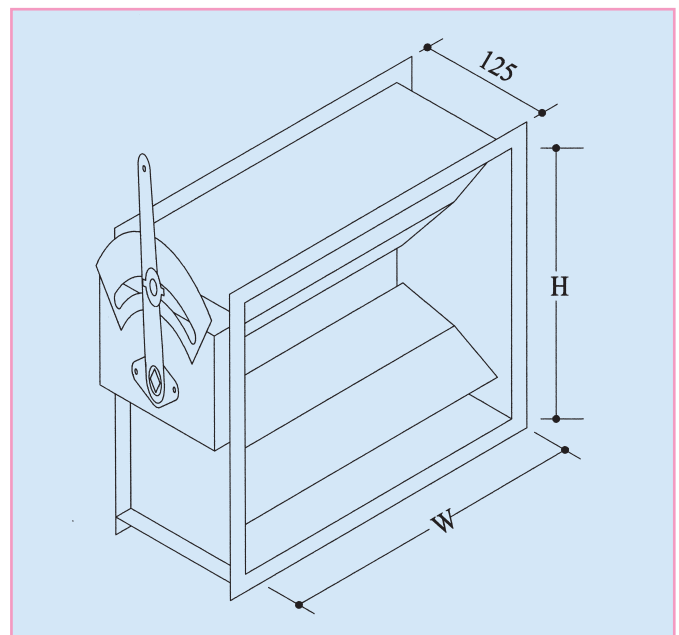
- **Frame:** 1.2mm thick galvanized steel sheet.
- **Frame size:** 125mm depth and standard flange height of 25mm.
- **Blades:** Double skinned high quality extruded aluminium aerofoil profiles.
- **Bearing pins:** Electro plated square rod of size 12.7mmx12.7mm.
- **Bushings:** Self oiling nylon bushings of internal square size
- **Blade linkage:** nylon gear.
- **Blade stopper:** 20mmx20mm aluminium angle.

Description:

- Frame is constructed from galvanized steel sheet. Joints are welded and protected by aluminium spray coating.
- Blades are coupled by toothed nylon gears which can provide either parallel or opposed blade operation.
- Hand locking quadrant with open and close marking and frame is marked to show exact position of damper.
- Structure is available with flanged edges and are supplied un drilled as standard.
- Dampers without flanges available as option for duct insertion purpose. Flanged edges with drilled holes are also available.
- Available in square and rectangular sizes.
- Designed for use in heating, ventilating and air conditioning systems.

Accessories:

- **Motorized dampers:** Volume control dampers will be supplied with actuators of client's choice. The dampers can also be provided with an extended linkage to fix the motor at the site.



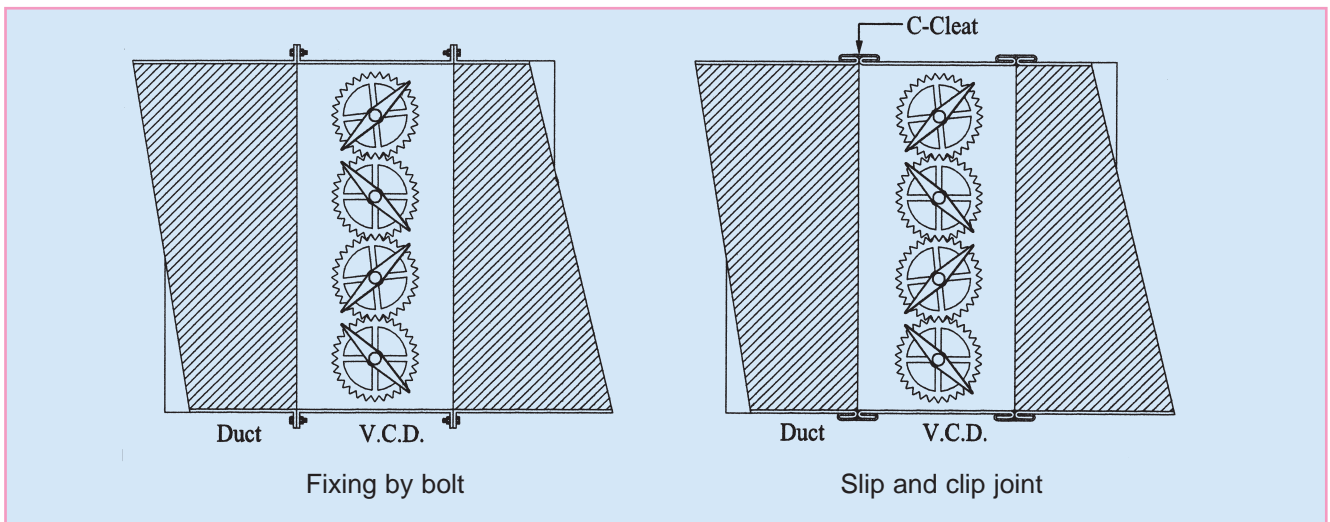


Standard sizes:

- Available in square and rectangular sizes.
- Sizes available from 100x100mm with an increment of 25mm.
- Non standard sizes available as option.

Fixing details:

Model: AVCD



How to order:

Model	Size	Quantity	Fixing
AVCD	Specify duct width x height in mm x mm	Specify in numbers	A = Fixing by bolts
			B = Slip and clip joint

Ordering example:

1. To select volume control damper for a duct size of 900x600, quantity 75 nos. Fixing details: Bolting.

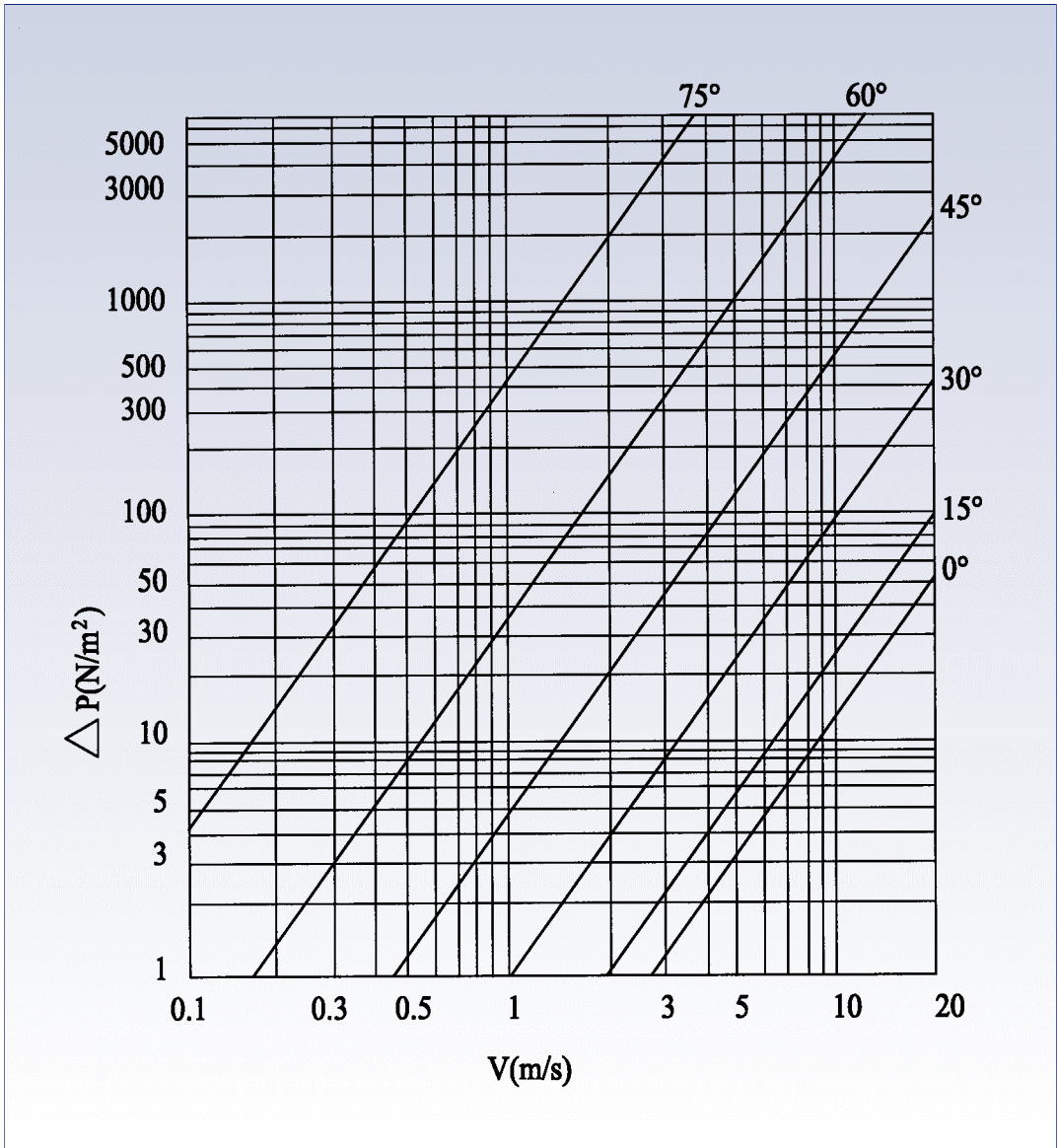
Order as : AVCD - 900x600 - 75 - A



air master

Performance chart:

Model: AVCD



Pressure drop - Rectangular VCD aerofoil type blades



air master

Circular volume control damper

Model: AVCD-C

Construction:

- **Frame:** 1 mm thick galvanized steel sheet.
- **Blades:** 1 mm thick galvanized steel sheet.
- **Bearing pins:** Electro plated steel rod of 10 mm diameter.
- **Bushings:** Self oiling nylon bushings of 10 mm internal square size.
- **Bearing pin connecting quadrant:** Electro plated square steel rod of size 12.7 x 12.7 mm.
- **Quadrant:** Locking quadrant with heavy gauge, electro plated steel.

Description:

- Frame is constructed from galvanized steel sheet. Joints are welded and protected by aluminium spray coating.
- Damper blade, which is fixed to the bearing pin, can be rotated in vertical plane from full open to full close.
- Bearing pin is coupled with hand locking quadrant with open and close marking. Hand locking quadrant frame is marked to show exact position of damper.
- Designed for use in heating, ventilating and air conditioning systems.



Round VCD with flange. Model AVCD-CF

Accessories:

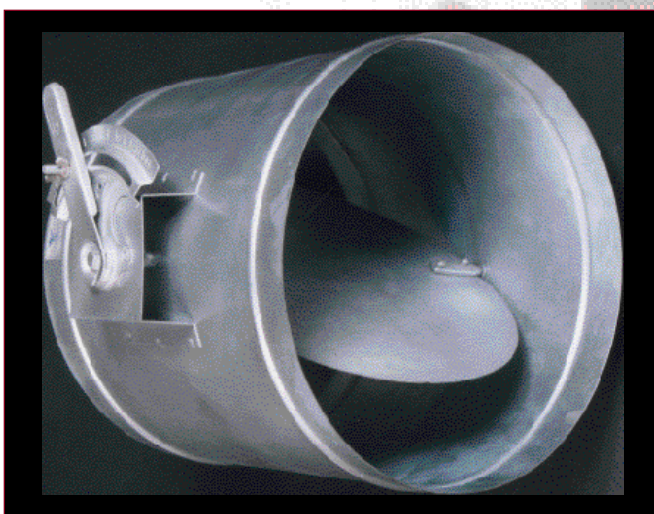
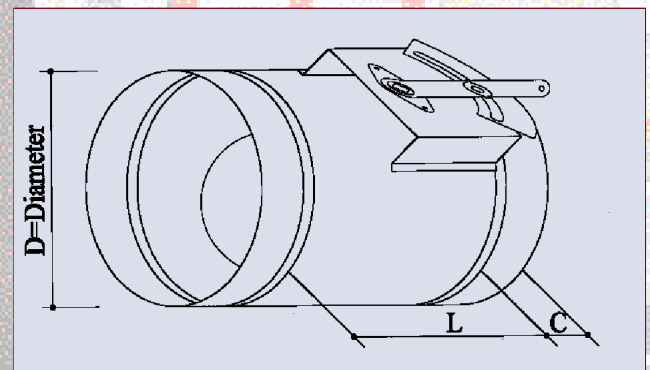
- **Motorized dampers:** Volume control dampers will be supplied with actuators of client's choice. The dampers can also be provided with an extended linkage to fix the motor at the site.

Dimensions.

D = Diameter	L = Length	C
Up to 150 mm	L = 200 mm	50 mm
Above 150 mm	L = D + 100 mm	50 mm

Standard Sizes:

D = Duct opening in mm dia					
100	200	300	400	500	600





air master

Fixing details:

Fixing by rivets to flexible duct.

How to order:

Model	Size	Quantity	Fixing
AVCD-C	Specify duct diameter in mm	Specify in numbers	A = Bolt fixing

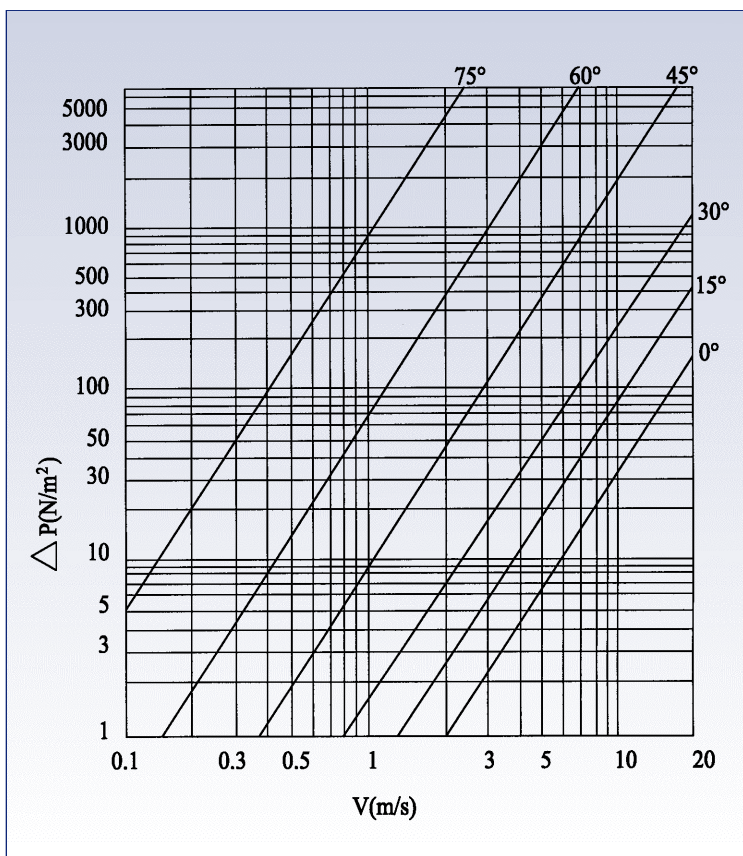
Ordering example:

- To select round volume control damper of size 400 mm dia, quantity 25 nos.
Fixing details: Bolt fixing.

Order as : AVCD-C- 400 – 75 – A.

Performance chart:

Model: AVCD-C



Pressure drop - Circular VCD